

Customer

Technical data

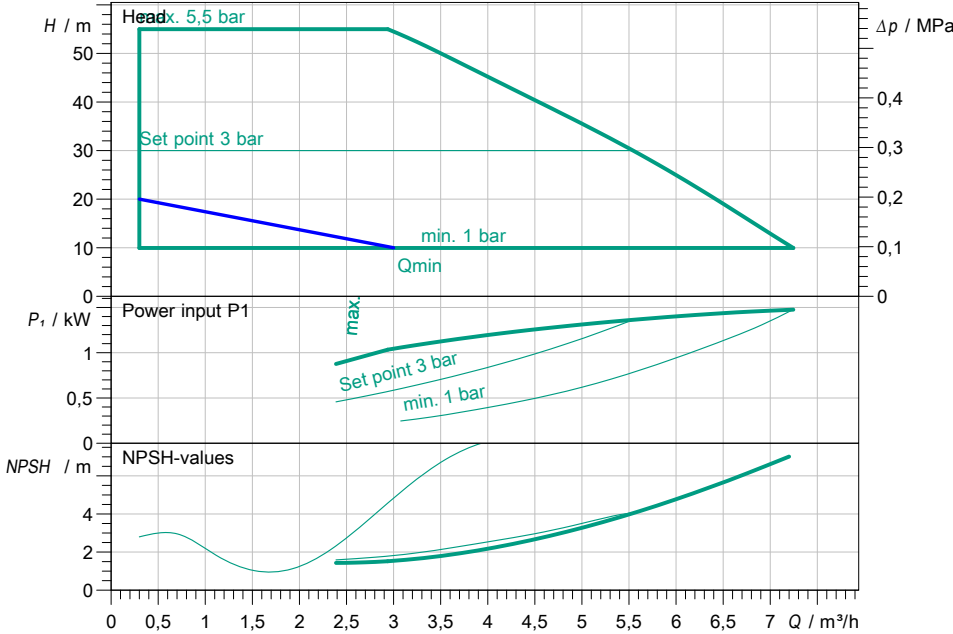
Multistage, self-priming automatic pressure boosting pump Isar BOOST5-E-5

Project name: Untitled project 2023-03-06 12:13:09.068

Project ID
Installation location
Customer pos.no

Date: 06.03.2023

Duty chart



Requested data

Flow	
Head	
Media	Water 100 %
Fluid temperature	20,00 °C
Density	998,30 kg/m³
Kin. viscosity	1,00 mm²/s

Hydraulic data (Duty point)

Flow
Head

Product data

Multistage, self-priming automatic pressure boosting pump Isar BOOST5-E-5	
Max. operating pressure	1 MPa
Inlet pressure max.	0,45 MPa
Fluid temperature	0 °C ... +40 °C
Max. ambient temperature	40 °C

Motordata per Motor/Pump

Mains connection	1~ 230 V / 50 Hz
Permitted voltage tolerance	+ -10 %
Max. speed	3600 1/min
Rated power P2	1,10 kW
Rated current	10,00 A

Degree of protection	IPX4
Insulation class	F
Motor protection	

Fitting dimensions

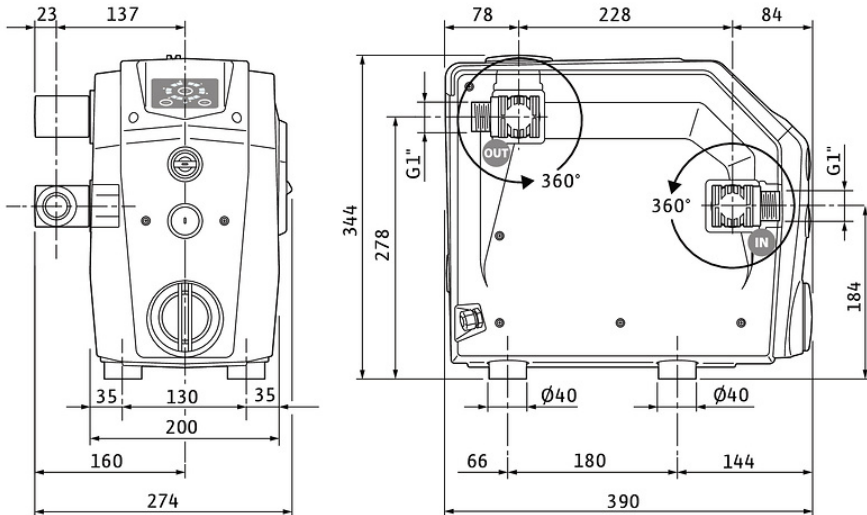
Pipe connection on the suction side G 1, -
Pipe connection on the pressure side G 1, -

Materials

Pump housing	PA66-GF50
Impeller	PPE/PS-GF20
Shaft	1.4057
Shaft seal	BXPFF

Information for order placements

Weight approx.	15 kg
Item number	4243584



Dimensions mm