

# JETCOM



## GENERAL DATA

### Applications

Self-priming centrifugal pump with excellent suction capacity even when there are air bubbles and small particles of sand in the water.

Used especially for supplying water to domestic installations. Ideal for use in small-scale agriculture and gardening, limited industrial services and wherever self-priming operation is necessary.

### Constructional features of the pump

Technopolymer pump body and die-cast aluminium motor support.

Technopolymer impeller, diffuser, Venturi tube and sand guard.

Stainless steel pressure disc.

Carbon/ceramic mechanical seal.

### Constructional features of the motor

Induction motor, closed and cooled with external ventilation.

Rotor mounted on oversized greased sealed-for-life ball bearings to ensure silent running and long life.

Built-in thermal and current overload protection and a capacitor permanently in circuit in the single-phase version.

Three-phase motors should be protected with a suitable overload protection complying with the regulations in force.

Manufactured according to CEI 2-3 and CEI 61-69 standards (EN 60335-2-41).

Motor protection: IP 44

Terminal box protection: IP 55

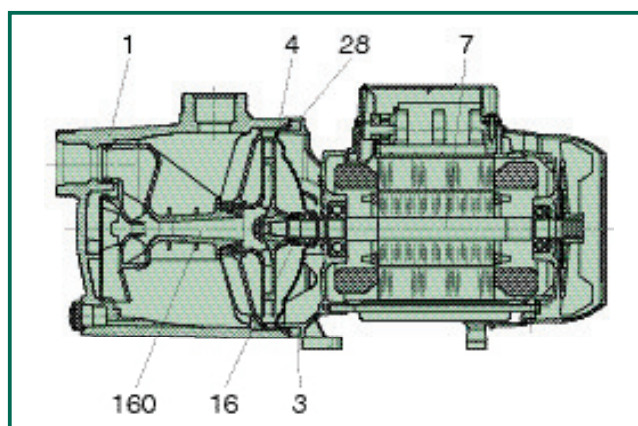
Insulation class: F

Standard voltage:     single-phase     220-240 V/50 Hz  
                                   three-phase     230-400 V/50 Hz

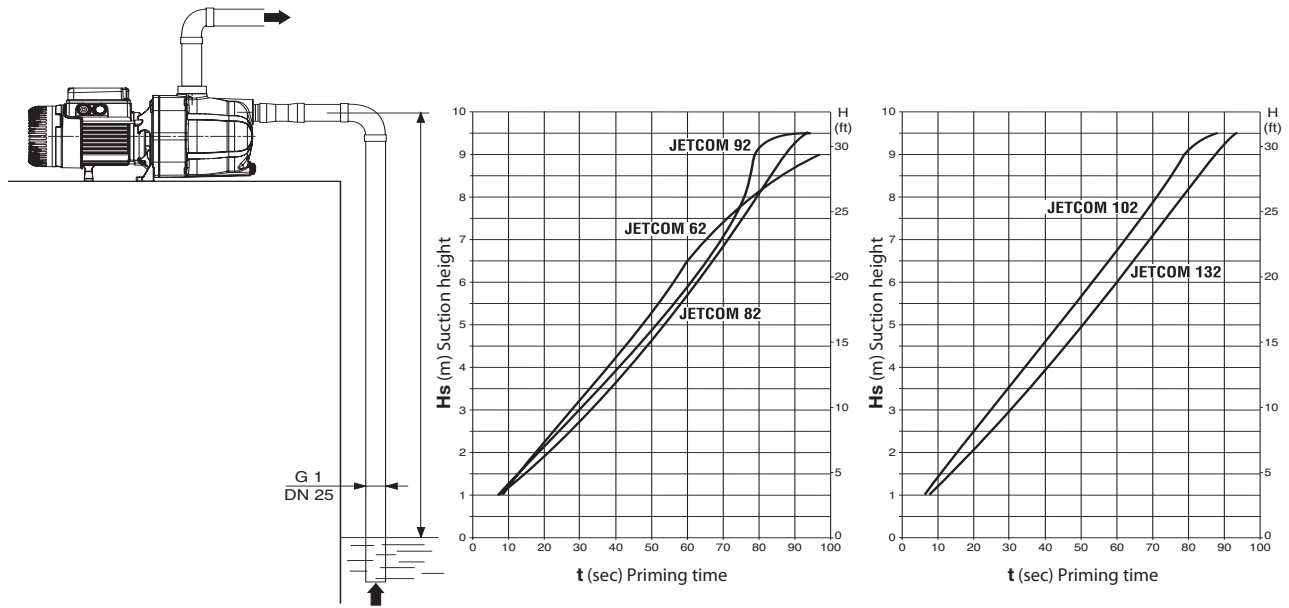
## TECHNICAL DATA

N.	PARTS*	MATERIALS
1	PUMP BODY	TECHNOPOLYMER A
4	IMPELLER	TECHNOPOLYMER A
7	SHAFT WITH ROTOR	STAINLESS STEEL AISI 416 X12 CrS13 - UNI 6900/71
16	MECHANICAL SEAL	CARBON/CERAMIC
28	OR GASKET	NBR RUBBER
36	SEAL COVER	STAINLESS STEEL AISI 304 X5 CRNi 1810 - UNI 6900/71
160	NOZZLE-VENTURI DIFFUSER ASSEMBLY	TECHNOPOLYMER A

\* In contact with the liquid.



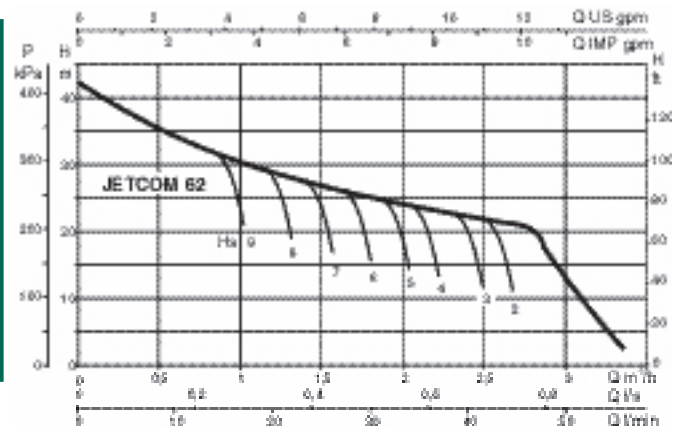
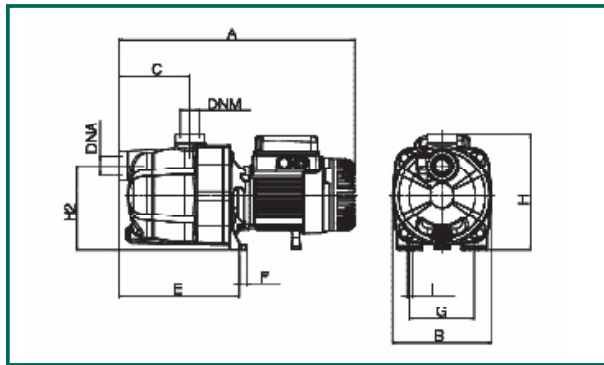
## Self priming capacity



- Operating range: from 0.6 to 5.4 m<sup>3</sup>/h with head up to 54 metres
- Liquid quality requirements: clean, free from solids or abrasive substances, non viscous, non aggressive, non crystallized, chemically neutral, close to the characteristics of water.
- Liquid temperature range: from 0°C to +35°C for domestic use (EN 60335-2-41) from 0°C to +40°C for other uses
- Maximum suction depth: 8 metres
- Maximum ambient temperature: +40°C
- Maximum operating pressure: 6 bar (600 kPa)
- Installation: fixed or portable in a horizontal position
- Special executions on request: other voltages and/or frequencies

The performance curves are based on the kinematic viscosity values = 1 mm<sup>2</sup>/s and density equal to 1000 kg/m<sup>3</sup>. Curve tolerance according to ISO 9906.  
 Liquid temperature range: from 0 °C to +35°C      Maximum ambient temperature: +40°C

## JETCOM 62



MODEL	A	B	C	E	F	G	H	H1	H2	I	L	DNA	DNM	PACKING DIMENSIONS			VOLUME	WEIGHT
														L/A	L/B	H	m <sup>3</sup>	Kg
<b>JETCOM 62</b>	406	170	122	208	14	111	198	-	144	9	-	1" G	1" G	470	240	240	0,027	7,5

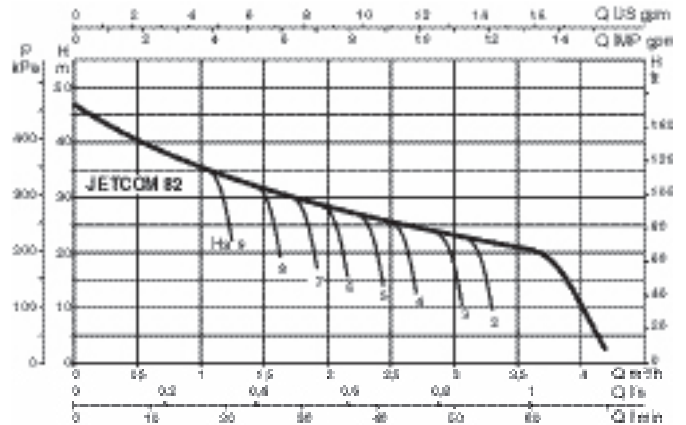
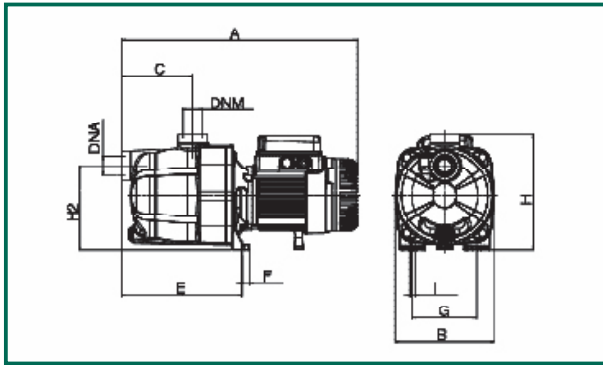
MODEL	ELECTRICAL DATA						HYDRAULIC DATA (n = 2800 1/min)								
	VOLTAGE 50 Hz	P1 MAX kW	P2 NOMINAL		In A	CAPACITOR	Q	0	0,6	1,2	1,8	2,4	2,7	3,6	
			kW	HP		μF	Vc	m <sup>3</sup> /h	0	10	20	30	40	45	60
<b>JETCOM 62 M</b>	1x220-240 V ~	0,72	0,44	0,6	3,12	12,5	450	H	42	35	29,2	25,6	22,9	21,1	-
<b>JETCOM 62 T</b>	3x230-400 V ~	0,67	0,44	0,6	2,1-1,2	-	-								

The performance curves are based on the kinematic viscosity values = 1 mm<sup>2</sup>/s and density equal to 1000 kg/m<sup>3</sup>. Curve tolerance according to ISO 9906.

Liquid temperature range: from 0 °C to +35°C

Maximum ambient temperature: +40°C

## JETCOM 82



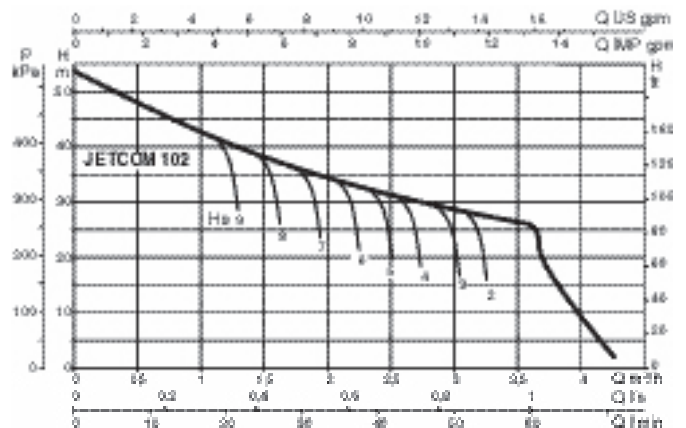
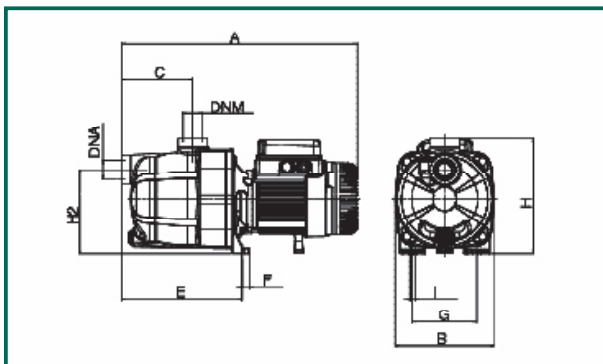
MODEL	A	B	C	E	F	G	H	H1	H2	I	L	DNA	DNM	PACKING DIMENSIONS			VOLUME	WEIGHT
														L/A	L/B	H	m <sup>3</sup>	Kg
<b>JETCOM 82</b>	406	170	122	208	14	111	198	-	144	9	-	1" G	1" G	470	240	240	0,027	7,7

MODEL	ELECTRICAL DATA							HYDRAULIC DATA (n ≈ 2800 1/min)													
	VOLTAGE 50 Hz	P1 MAX kW	P2 NOMINAL		In A	CAPACITOR		Q													
			kW	HP		μF	Vc	m³/h	0	0,6	1,2	1,8	2,4	3	3,6						
<b>JETCOM 82 M</b>	1x220-240 V ~	0,85	0,6	0,8	3,8	12,5	450	H (m)	47	40	34	30	26,2	23,5	20,3						
<b>JETCOM 82 T</b>	3x230-400 V ~	0,86	0,6	0,8	2,8-1,6	-	-														

Liquid temperature range: from 0 °C to +35°C

Maximum ambient temperature: +40°C

## JETCOM 102

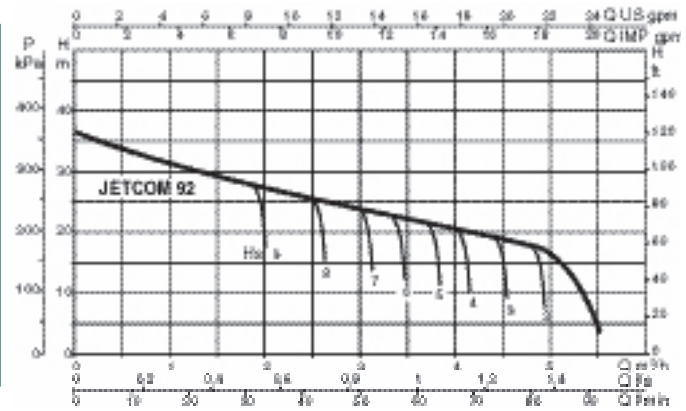
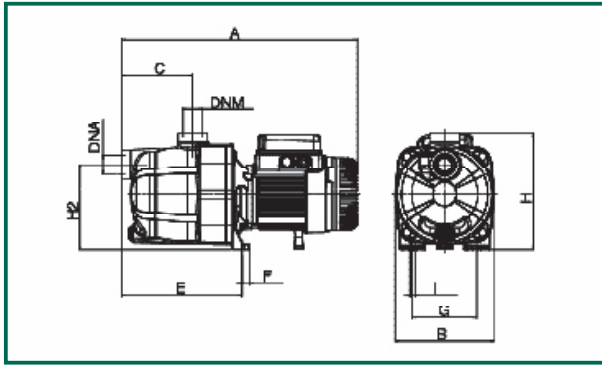


MODEL	A	B	C	E	F	G	H	H1	H2	I	L	DNA	DNM	PACKING DIMENSIONS			VOLUME	WEIGHT
														L/A	L/B	H	m <sup>3</sup>	Kg
<b>JETCOM 102</b>	425	170	122	208	14	111	203	-	144	9	-	1" G	1" G	470	240	240	0,027	9,5

MODEL	ELECTRICAL DATA							HYDRAULIC DATA (n ≈ 2800 1/min)													
	VOLTAGE 50 Hz	P1 MAX kW	P2 NOMINAL		In A	CAPACITOR		Q													
			kW	HP		μF	Vc	m³/h	0	0,6	1,2	1,8	2,4	3	3,6						
<b>JETCOM 102 M</b>	1x220-240 V ~	1,13	0,75	1	5,1	16	450	H (m)	53,8	47	41	36,3	32,4	28,8	25,8						
<b>JETCOM 102 T</b>	3x230-400 V ~	1,04	0,75	1	3,3-1,9	-	-														

The performance curves are based on the kinematic viscosity values = 1 mm<sup>2</sup>/s and density equal to 1000 kg/m<sup>3</sup>. Curve tolerance according to ISO 9906.  
 Liquid temperature range: from 0 °C to +35°C Maximum ambient temperature: +40°C

## JETCOM 92

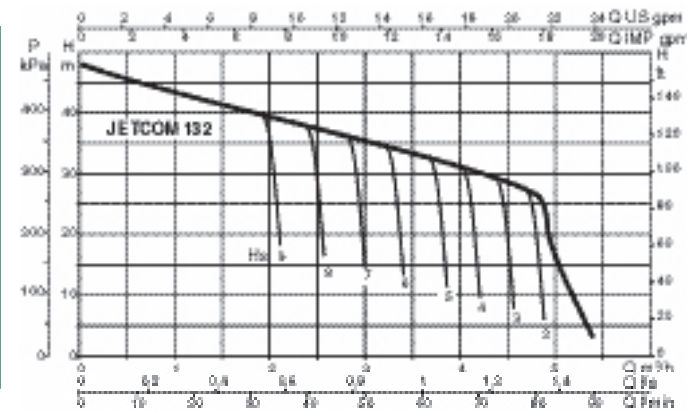
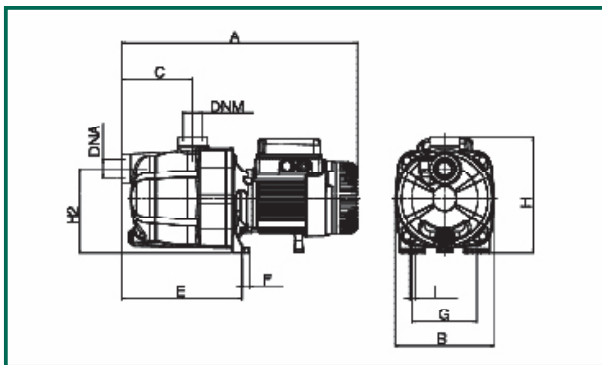


MODEL	A	B	C	E	F	G	H	H1	H2	I	L	DNA	DNM	PACKING DIMENSIONS			VOLUME	WEIGHT
														L/A	L/B	H	m <sup>3</sup>	Kg
<b>JETCOM 92</b>	425	170	122	208	14	111	203	-	144	9	-	1" G	1" G	470	240	240	0,027	8,7

MODEL	ELECTRICAL DATA						HYDRAULIC DATA (n = 2800 1/min)												
	VOLTAGE 50 Hz	P1 MAX kW	P2 NOMINAL		In A	CAPACITOR μF	Vc	Q		H									
			kW	HP				m <sup>3</sup> /h	l/min	0	0,6	1,2	1,8	2,4	3	3,6	4,2	4,8	
<b>JETCOM 92 M</b>	1x220-240 V ~	0,94	0,75	1	4,2	14	450	H	36,2	33,5	31	28,4	26	24	21,8	19,6	17		
<b>JETCOM 92 T</b>	3x230-400 V ~	0,93	0,75	1	3,3-1,9	-	-												

Liquid temperature range: from 0 °C to +35°C Maximum ambient temperature: +40°C

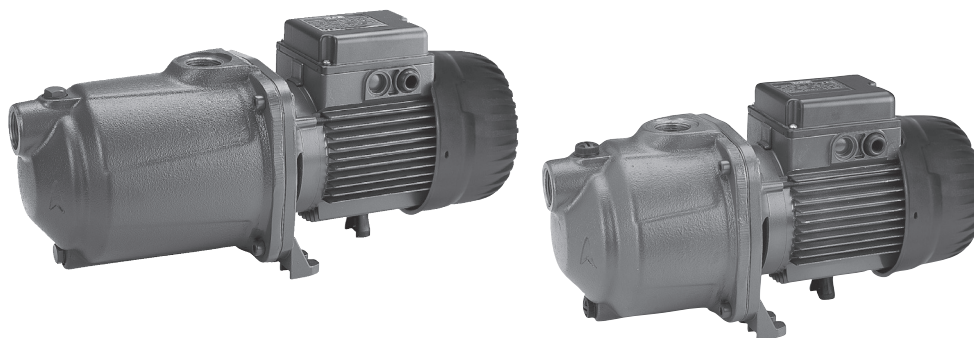
## JETCOM 132



MODEL	A	B	C	E	F	G	H	H1	H2	I	L	DNA	DNM	PACKING DIMENSIONS			VOLUME	WEIGHT
														L/A	L/B	H	m <sup>3</sup>	Kg
<b>JETCOM 132</b>	425	170	122	208	14	111	203	-	144	9	-	1" G	1" G	470	240	240	0,027	10,5

MODEL	ELECTRICAL DATA						HYDRAULIC DATA (n = 2800 1/min)												
	VOLTAGE 50 Hz	P1 MAX kW	P2 NOMINAL		In A	CAPACITOR μF	Vc	Q		H									
			kW	HP				m <sup>3</sup> /h	l/min	0	0,6	1,2	1,8	2,4	3	3,6	4,2	4,8	
<b>JETCOM 132 M</b>	1x220-240 V ~	1,49	1	1,36	6,6	25	450	H	48	45,6	42,8	40	37,6	35	32,5	30	27		
<b>JETCOM 132 T</b>	3x230-400 V ~	1,43	1	1,36	4,7-2,7	-	-												

# EURO



## GENERAL DATA

### Applications

Multistage horizontal centrifugal pump, featuring extremely silent running suitable for domestic use for water supply and pressurization, irrigation of gardens and vegetable gardens, and for moving water in general.

### Construction features of pump:

Pump body in 200 UNI ISO 185 cast iron. Motor support in die-cast aluminium, seal holder in AISI 304 steel. Mechanical seal in carbon/ceramic. Rotor shaft in AISI 304 steel. Impellers, diffuser bodies and diffusers in technopolymer. Wear rings in stainless steel.

### Construction features of motor

Continuous service asynchronous motor.

Incorporated thermal current protection and capacitor permanently in circuit in the single-phase version.

The user must provide overload protection for the three-phase version.

Protection level of motor: IP 44

Protection level of terminal board: IP 55

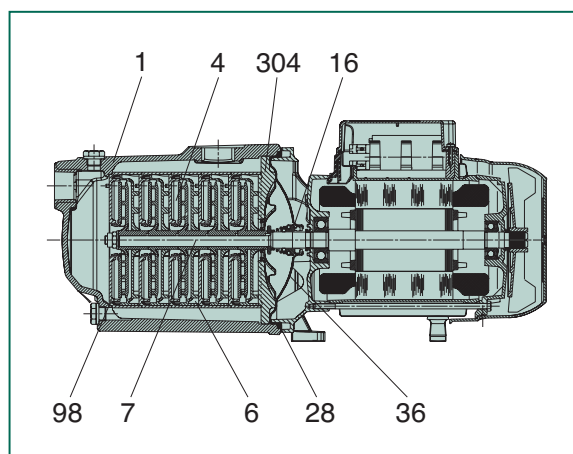
Insulation class: F

Standard voltage: Single-phase 220/240V - 50 Hz - 2 poles

Three-phase 230/400V - 50 Hz - 2 poles

## TECHNICAL DATA

N.	PARTS	MATERIALS
1	PUMP BODY	200 CAST-IRON UNI ISO 185
4	IMPELLER	TECHNOPOLYMER
6	DIFFUSER	TECHNOPOLYMER
7	SHAFT WITH ROTOR	AISI 304 X5CRNI 1810 UNI 6900/71 STAINLESS STEEL
16	MECHANICAL SEAL	CARBON/CERAMIC
28	GASKET OR	NBR
36	SEAL HOLDER COVER	AISI 304 X5CRNI 1810 UNI 6900/71 STAINLESS STEEL
98	DIFFUSER BODY	TECHNOPOLYMER



- Operating range: from 10 to 120 l/min. with a head of up to 72 m.
- Pumped liquid characteristics: clean, free from solid or abrasive substances, not viscous, not aggressive, not crystallised, chemically neutral and close to the characteristics of water.
- Liquid temperature range: from 0°C to +35°C for domestic use (EN 60335-2-41)  
from 0°C to +40°C for other uses.
- Maximum ambient temperature: +40°C
- Maximum operating pressure: 8 bar (800 kPa)
- Installation: fixed or portable in a horizontal position