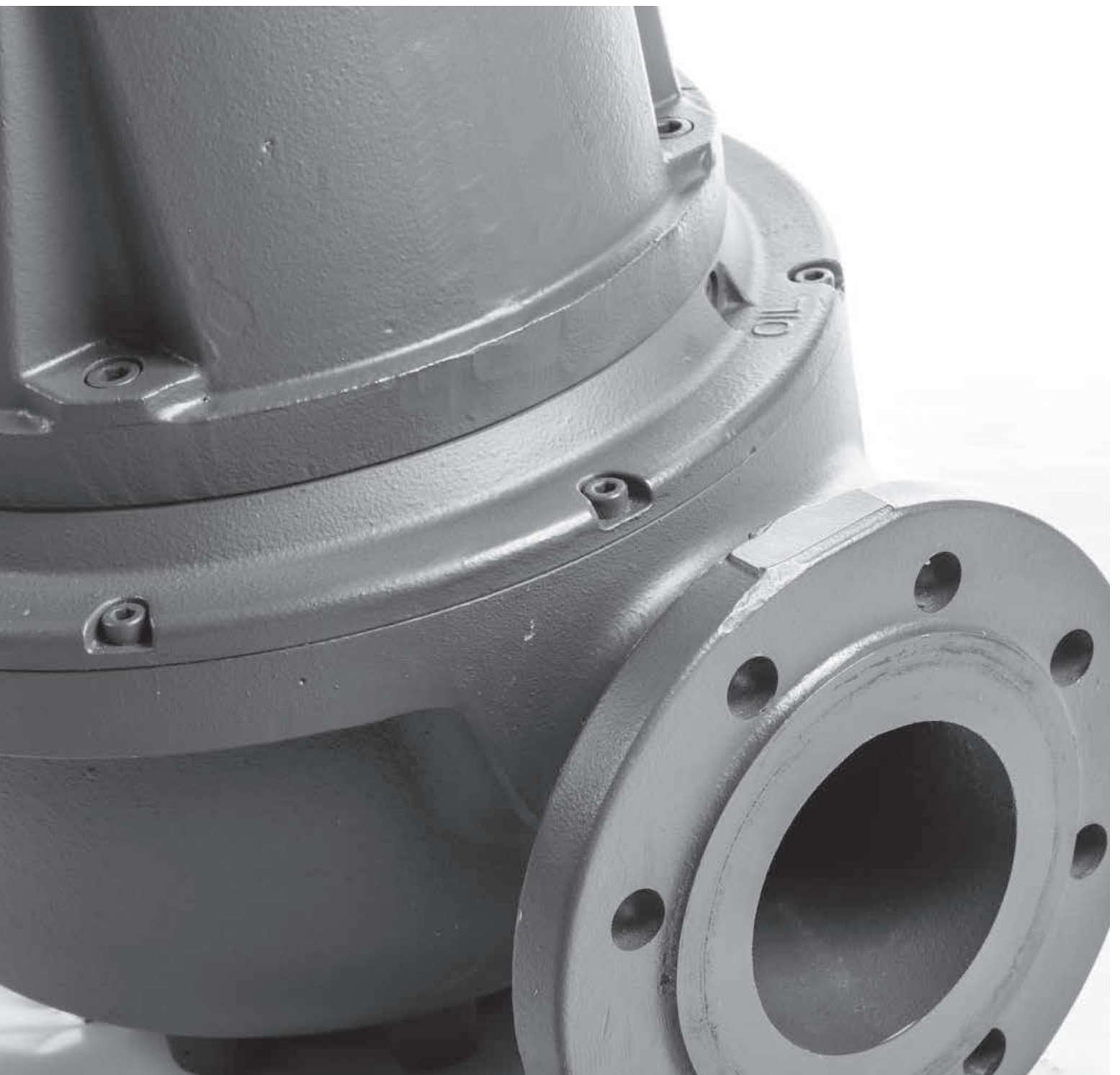


FKV

SUBMERSIBLE PUMPS FOR SEWAGE



**- Denomination index:
(example)**

	FK	C	65	22	2	T	5	230D	Ex	S	
DIGITS											
FK	Technical pump range name										
C	Single channel impeller										
V	Vortex impeller										
65	Outlet diameter										
80											
100											
150											
22	Approximate nominal power kW x10 (a, b, c, d in case of different curve at same power)										
2	Number of poles										
4											
T	Three-phase										
5	Tension frequency										
6	5 = 50hz - 6 = 60hz										
230	D.O.L.	Tension rate & Start method									
220-277	D.O.L.										
400	D.O.L.										
380-480	D.O.L.										
230	Y/D										
400	Y/D										
220-277	Y/D										
380-480	Y/D										
EX	No explosion proof Explosion proof (ATEX)										
S	No sensor version (moisture sensor) Sensor version (moisture sensor) NOT for Ex version										
	Cable length 10m										
20,30,50	Specific cable length										

STANDARD AND OPTIONS

	STANDARD	OPTIONS
MAINS VOLTAGE	3 x 400 V~	3 x 230 V~
VOLTAGE TOLERANCE	+ 6 % / -10 %, 50 Hz	-
TEMPERATURE MONITORING BY BI-METALLIC SWITCH IN THE STATOR WINDINGS	150° C	-
MECHANICAL SEAL (AT PUMP SIDE)	SiC/SiC	-
MECHANICAL SEAL (AT MOTOR SIDE)	SiC/Carbon	-
MOISTURE SENSOR	-	YES
CABLE LENGTH (M)	10	20-30-50
APPROVALS	EN 12050 -1	Ex (ATEX , IECEx)
O-RING	NBR	FKM (Viton®)
INSTALLATION	Wet well	-



TECHNICAL DATA

Impeller type: Vortex.

Solid handling: 65 ÷ 100 mm.

Nominal power: 1,1 ÷ 11 kW.

Outlet: DN 65 / 80 / 100.

Performance range: from 4.3 to 100 m³/h with 41 meters head.

Fluid: wastewater and sewage from buildings and sites in private, commercial, industrial areas.

Fluid PH: 6.5 ÷ 12.

Fluid temperature range: from 0° to +40°C.

For higher temperature please contact our sale offices.

Max installation depth: 20 mt (with a proper cable length).

Type of installation: fixed by Coupling Unit, portable in vertical position with pedestal. Continuous working with total submerged applications, or discontinuous S3 with respect of minimum levels.

Approvals: EN 12050-1 e Ex (ATEX, IECEX).

APPLICATIONS

Design for the pumping of wastewater and sewage from buildings and sites in private, commercial, industrial areas in accordance with European Standard EN 12050-1.

PUMP CONSTRUCTION

Vortex impeller with maximum solids handling with new no-clogging shape. Single-unit cartridge seal with double mechanical seals, SiC-SiC at the pump side, SiC-C at the motor side. All seals are independent of rotation direction. DN 65, DN 80, DN 100 radial slot EN 1092-1 flange discharge.

Liquid Viscosity : 1mm²/s

MOTOR CONSTRUCTION

Premium Efficiency IE3, three-phase, squirrel-cage motor. Continuously S1 rated motor in submerged applications, or discontinuous S3 according to minimum levels. Seal monitoring by a moisture sensor in the seal chamber, which signals an inspection alert if there is leakage at the mechanical seals (optional). Bi-metallic switch in stator windings, with max temperature (150°C). Start-up: 1.1 - 4.0 kW = direct on line (DOL); 5.5 - 11.0 kW = star-delta (Y/Δ). Lubricated-for-life bearings with a calculated lifetime of minimum 50,000 hrs.

Stainless steel shaft. Designed with high resistance fatigue fracture.

Degree of protection: IP 68

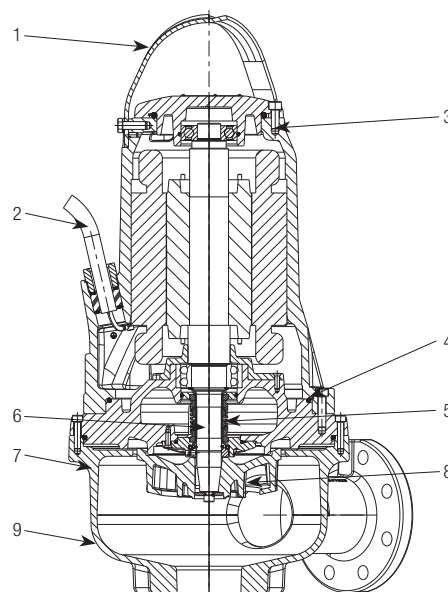
Insulation class: F

Max starting /hours: 20

MATERIALS

N°	PARTS	MATERIALS
1	Handle	Stainless steel (AISI 304)
2	Electric cable	07RN8-F
3	Screws	Stainless steel (AISI 304)
4	OR	NBR
5	Mechanical seal pump side	SiC/SiC
	Mechanical seal motor side	SiC/Carbon
	Ring Seal*	HNBR
6	Motor Shaft	Stainless steel (AISI 420)
7	Pump body / motor	Cast iron (EN G.JL 200)
8	Impeller	Cast iron (EN G.JL 250)
9	Coating	Acrylic two-component 50µm

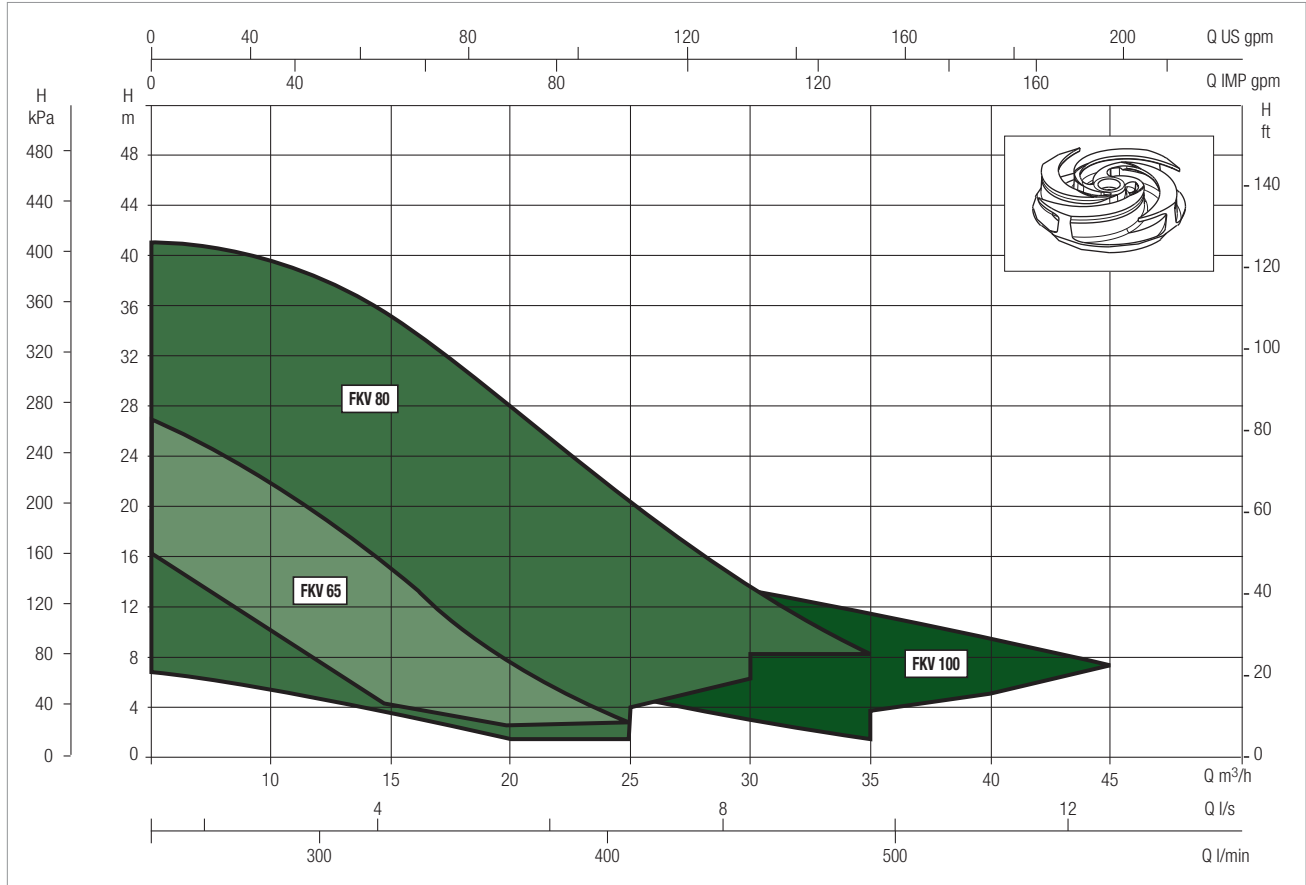
* only from 3kW 4 poles and from 4kW 2 poles



PERFORMANCE RANGE

The performance curves are based on kinematic viscosity values = 1 mm²/s and density equal to 1000 kg/m³. Curve tolerance according to ISO 9906.

GRAPHIC SELECTION TABLE



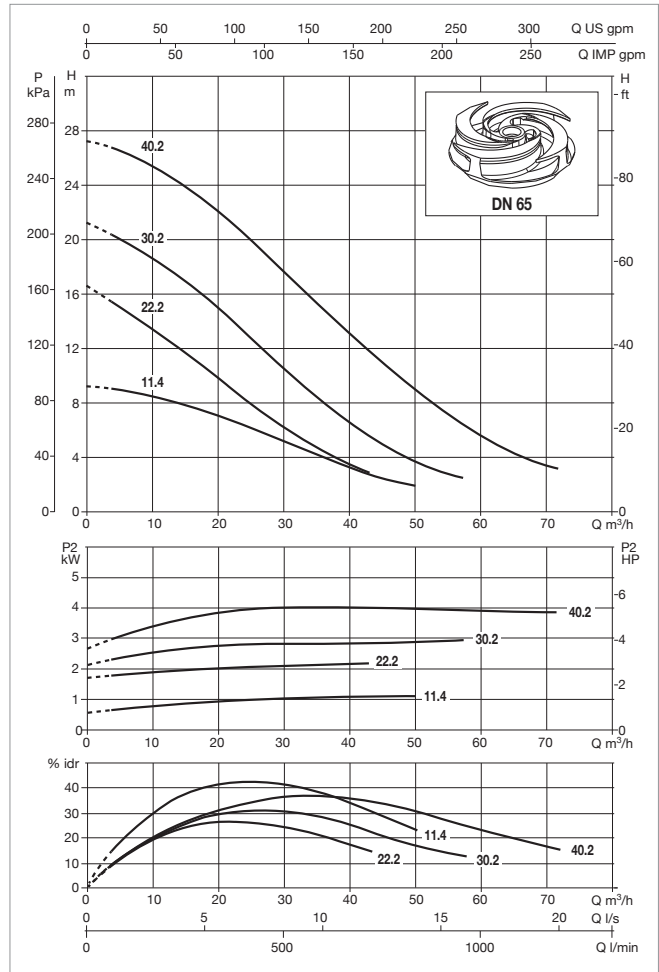
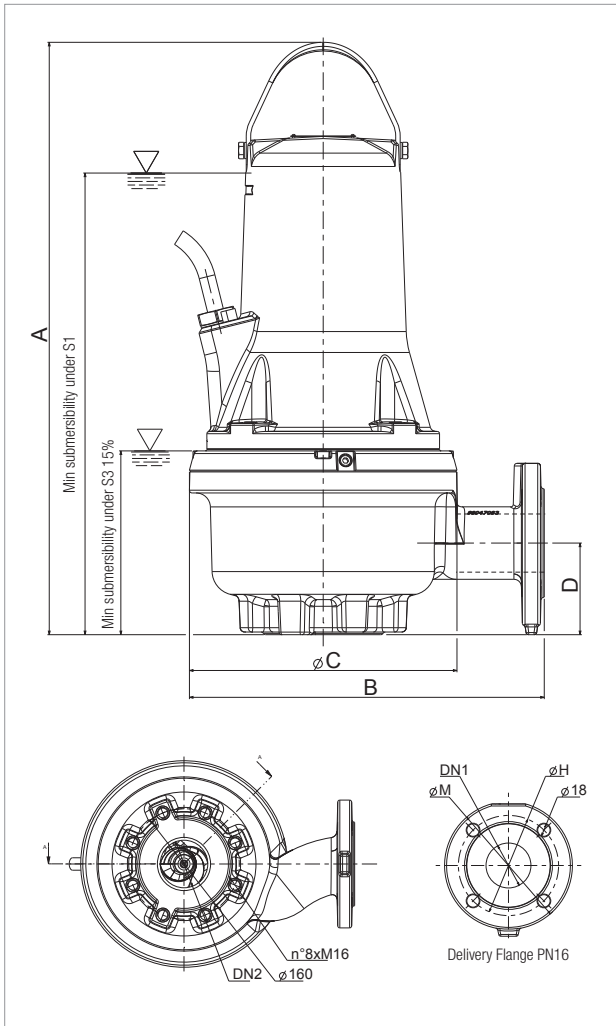
SELECTION TABLE

MODEL	Q=m³/h																
	0	7,2	14,4	21,6	28,8	36	43,2	50,4	57,6	64,8	72	79,2	86,4	93,6	100,8	108	
	Q=l/min																
	0	2	4	6	8	10	12	14	16	18	20	22	24	26	28	30	
FKV 65 11.4 T5 400D	9,1	8,7	7,9	6,7	5,3	4,0	2,7	1,8									
FKV 65 22.2 T5 400D	16,5	14,3	11,8	9,1	6,6	4,3	2,7										
FKV 65 30.2 T5 400D	21,1	19,5	17,1	14,2	11,1	8,1	5,4	3,4	2,3								
FKV 65 40.2 T5 400D	27,2	26,0	24,0	21,3	18,3	15,1	11,8	8,8	6,2	4,2	3,0						
FKV 80 11.4 T5 400D	7,0	6,7	6,1	5,3	4,5	3,6	2,7	1,9	1,3								
FKV 80 15.4 T5 400D	9,5	9,3	8,9	8,1	7,2	6,1	5,0	3,9	3,0	2,3	1,9						
FKV 80 22.4 T5 400D	11,8	11,6	11,3	10,8	10,0	9,1	8,0	6,9	5,8	4,7	3,7	2,8					
FKV 80 40.4 T5 400D	17,5	17,1	16,5	15,7	14,9	14,0	13,1	12,1	11,1	10,0	9,0	8,1	7,1				
FKV 80 40.2 T5 400D	22,1	21,1	19,5	17,3	14,9	12,2	9,7	7,3	5,2	3,7	2,9						
FKV 80 60.2 T5 400Y/D	29,1	28,4	27,0	25,1	22,8	20,3	17,6	14,8	12,2	9,8	7,3	5,5					
FKV 80 75.2 T5 400Y/D	32,1	31,8	30,8	29,1	27,0	24,5	21,8	18,9	16,0	13,2	10,6	8,4	6,6	5,4			
FKV 80 92.2 T5 400Y/D	36,2	35,9	35,1	33,7	31,7	29,2	26,4	23,4	20,3	17,3	14,3	11,7	9,5	7,7	6,6		
FKV 80 110.2 T5 400Y/D	41,2	41,0	40,5	39,2	37,4	35,2	32,6	29,7	26,6	23,5	20,3	17,3	14,6	12,1	10,0	8,5	

MODEL	Q=m³/h											
	0,0	14,4	28,8	43,2	57,6	72,0	86,4	100,8	115,2	129,6	144,0	
	Q=l/min											
	0,0	4,0	8,0	12,0	16,0	20,0	24,0	28,0	32,0	36,0	40,0	
FKV 100 30.4 T5 400D	11,8	10,9	9,7	8,2	6,5	4,9	3,4	2,3				
FKV 100 40.4 T5 400D	14,0	13,2	12,0	10,6	9,0	7,4	5,8	4,3	3,1			
FKV 100 55.4 T5 400Y/D	15,9	15,6	14,9	13,8	12,6	11,1	9,6	8,0	6,5	5,0		
FKV 100 75.4 T5 400Y/D	19,0	18,8	18,3	17,5	16,5	15,2	13,9	12,4	10,8	9,2	7,7	

FKV 65 - 2/4 POLES - SUBMERSIBLE PUMPS FOR SEWAGE

Fluid temperature range: from 0° to +40°C. For higher temperature please contact our sale offices.



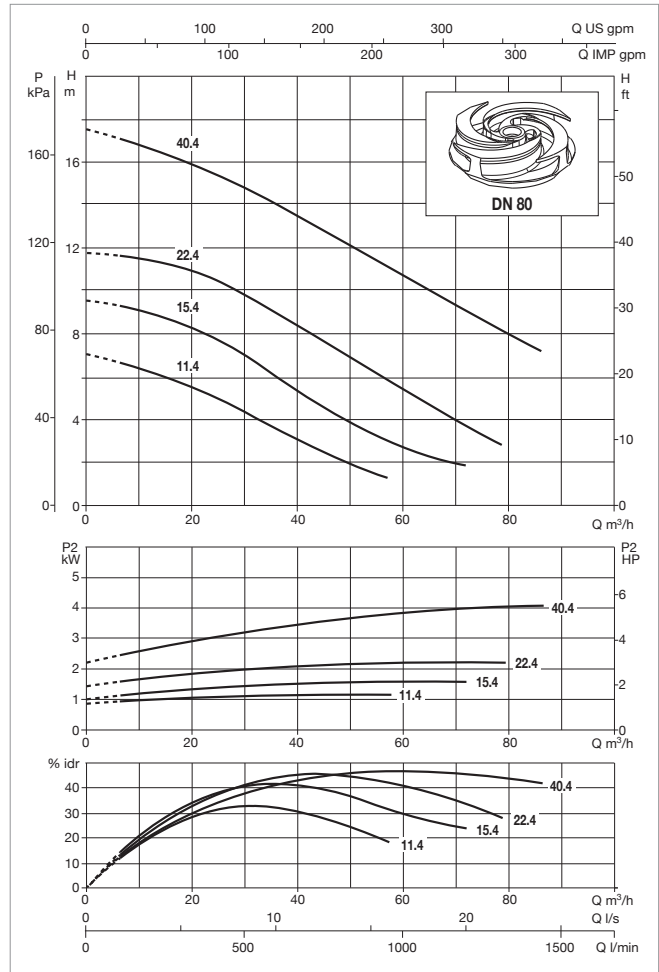
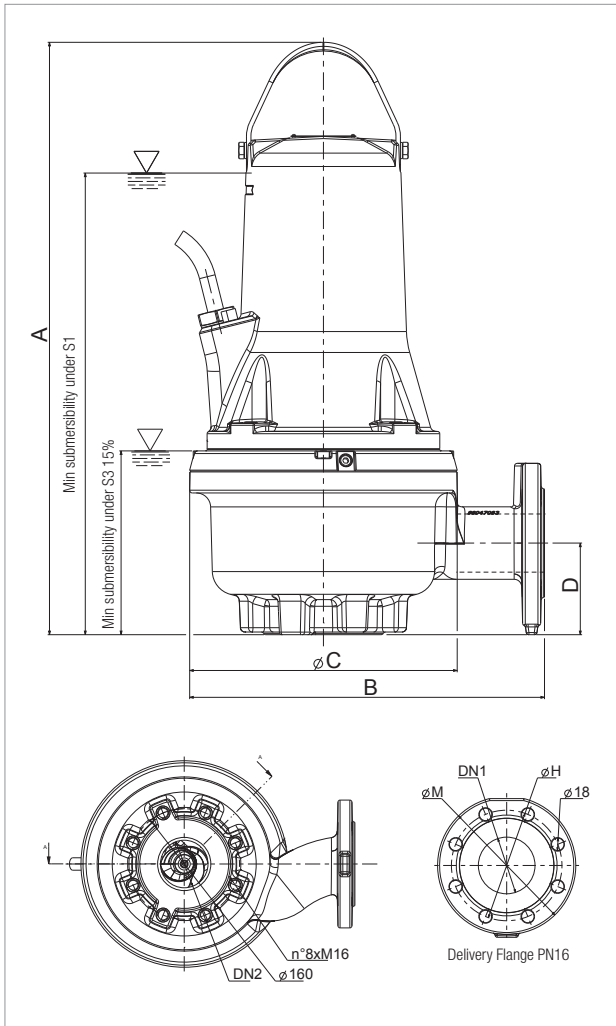
The performance curves are based on kinematic viscosity values = 1 mm²/s and density equal to 1000 kg/m³. Curve tolerance according to ISO 9906.

MODEL	ELECTRICAL DATA									
	RATED VOLTAGE 50 Hz	P1 kW	P2 NOMINAL		In A	Is A	η% MOTOR	RATED SPEED rpm/min	STARTING	CABLE
			kW	HP						
FKV 65 11.4 T5 400D	3 x 400V~	1,3	1,1	1,5	3,3	9,9	85,0%	1450	DOL	10mt 4G1.5+3x1
FKV 65 22.2 T5 400D	3 x 400V~	2,5	2,2	3,0	4,8	19,1	87,5%	2900	DOL	10mt 4G1.5+3x1
FKV 65 30.2 T5 400D	3 x 400V~	3,3	3,0	4,0	5,7	19,1	87,7%	2900	DOL	10mt 4G1.5+3x1
FKV 65 40.2 T5 400D	3 x 400V~	4,6	4,0	5,5	7,5	27,0	89,1%	2900	DOL	10mt 4G1.5+3x1

MODEL	SOLIDS HANDLING	A	B	C	D	S1	S3	DN2	FLANGE DIMENSION EN 1092-1 PN16				PACKAGING DIMENSION			WEIGHT Kg
									DN1	M	H	N° HOLES	L/A	L/B	H	
FKV 65 11.4 T5 400D	55	662	396	300	102	515	206	65	65	185	145	4	830	430	603	94
FKV 65 22.2 T5 400D	65	662	396	300	102	515	206	65	65	185	145	4	830	430	603	94
FKV 65 30.2 T5 400D	65	662	396	300	102	515	206	65	65	185	145	4	830	430	603	94
FKV 65 40.2 T5 400D	65	720	456	360	106	585	245	65	65	185	145	4	1030	530	668	143

FKV 80 - 4 POLES - SUBMERSIBLE PUMPS FOR SEWAGE

Fluid temperature range: from 0° to +40°C. For higher temperature please contact our sale offices.



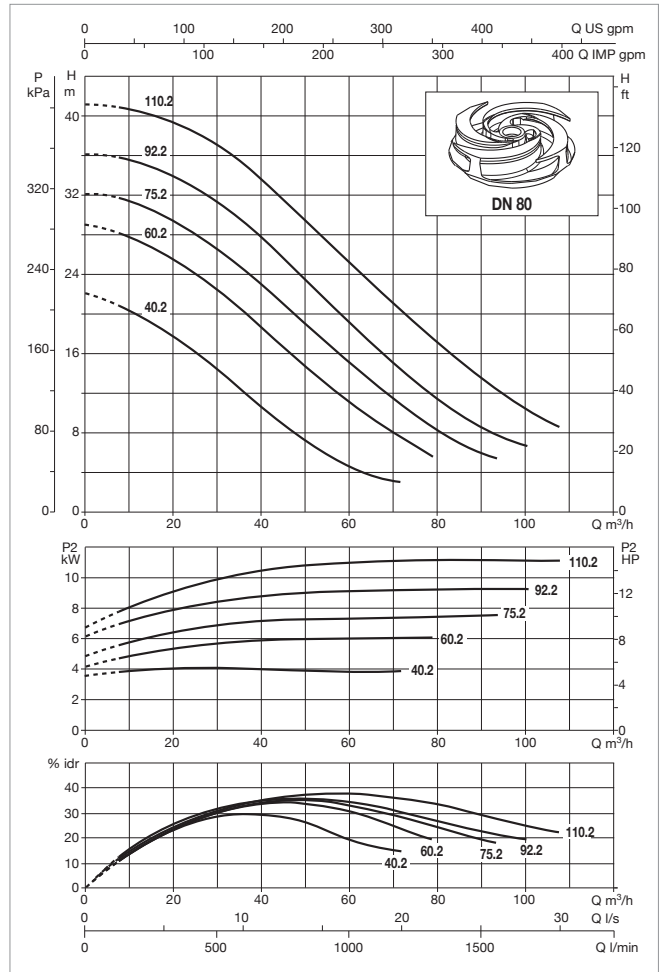
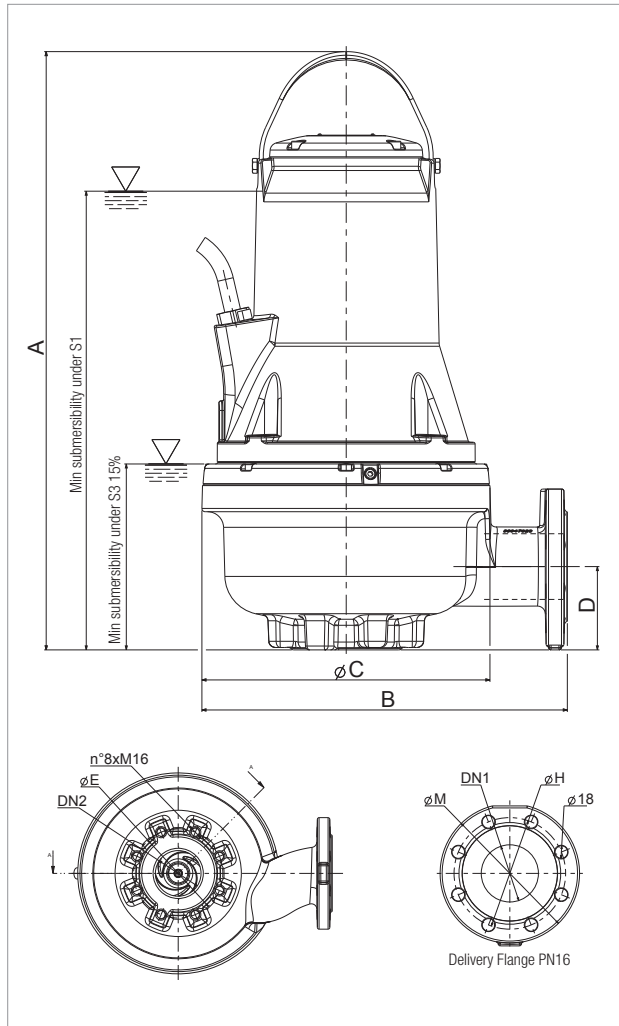
The performance curves are based on kinematic viscosity values = 1 mm²/s and density equal to 1000 kg/m³. Curve tolerance according to ISO 9906.

MODEL	ELECTRICAL DATA									
	RATED VOLTAGE 50 Hz	P1 kW	P2 NOMINAL		In A	Is A	η% MOTOR	RATED SPEED rpm/min	STARTING	CABLE
			kW	HP						
FKV 80 11.4 T5 400D	3 x 400 V~	1,3	1,1	1,5	3,5	11,4	85,2%	1450	DOL	10mt 4G1.5+3x1
FKV 80 15.4 T5 400D	3 x 400 V~	1,8	1,5	2,0	3,8	11,4	87,2%	1450	DOL	10mt 4G1.5+3x1
FKV 80 22.4 T5 400D	3 x 400 V~	2,5	2,2	3,0	4,7	11,4	87,8%	1450	DOL	10mt 4G1.5+3x1
FKV 80 40.4 T5 400D	3 x 400 V~	4,5	4,0	5,5	8,6	20,0	88,8%	1450	DOL	10mt 4G1.5+3x1

MODEL	SOLIDS HANDLING	A	B	C	D	S1	S3	DN2	FLANGE DIMENSION EN 1092-1 PN16				PACKAGING DIMENSION			WEIGHT Kg
									DN1	M	H	N° HOLES	L/A	L/B	H	
FKV 80 11.4 T5 400D	80	686	409	336	109	540	230	80	80	200	160	8	830	430	603	103
FKV 80 15.4 T5 400D	80	686	409	336	109	540	230	80	80	200	160	8	830	430	603	103
FKV 80 22.4 T5 400D	80	686	409	336	109	540	230	80	80	200	160	8	830	430	603	104
FKV 80 40.4 T5 400D	80	749	460	386	109	575	235	80	80	200	160	8	1030	530	668	172

FKV 80 - 2 POLES - SUBMERSIBLE PUMPS FOR SEWAGE

Fluid temperature range: from 0° to +40°C. For higher temperature please contact our sale offices.



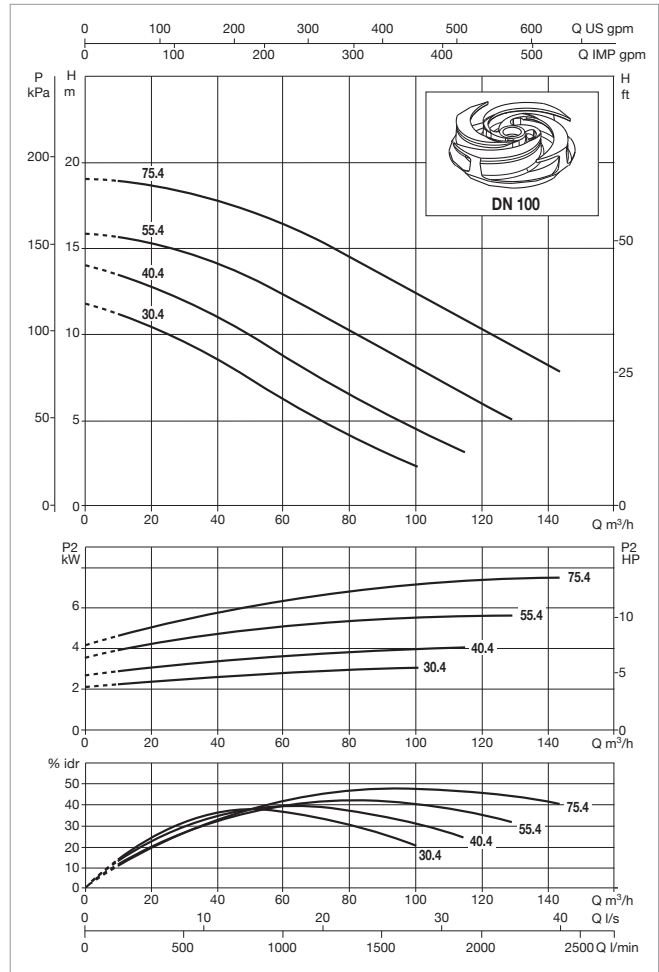
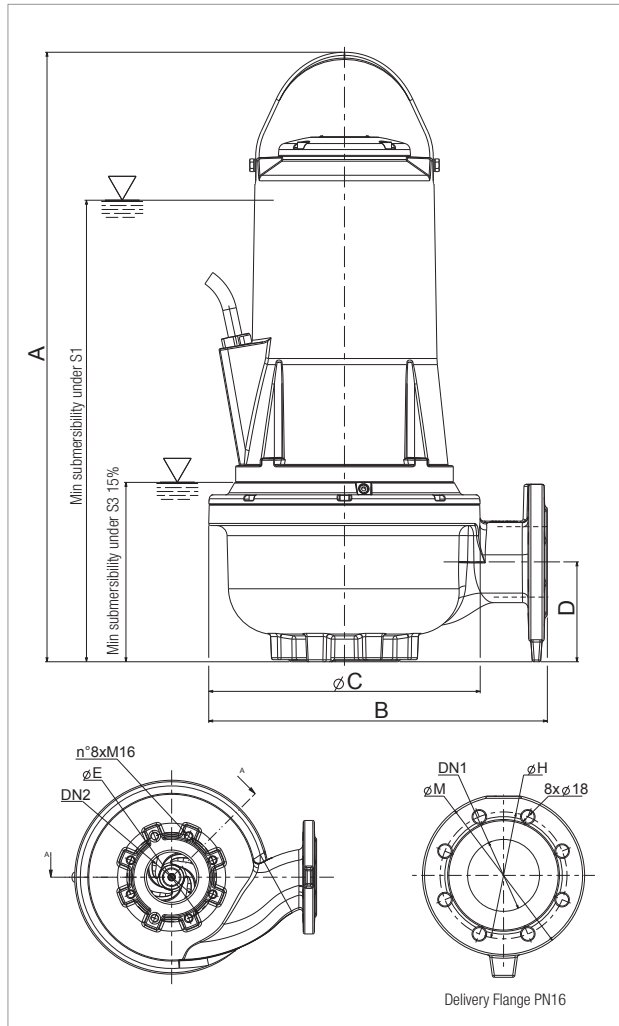
The performance curves are based on kinematic viscosity values = 1 mm²/s and density equal to 1000 kg/m³. Curve tolerance according to ISO 9906.

MODEL	ELECTRICAL DATA									
	RATED VOLTAGE 50 Hz	P1 kW	P2 NOMINAL		In A	Is A	η% MOTOR	RATED SPEED rpm/min	STARTING	CABLE
			kW	HP						
FKV 80 40.2 T5 400D	3 x 400V~	4,6	4,0	5,5	7,7	27,0	88,2%	2900	DOL	10mt 4G1.5+3x1
FKV 80 60.2 T5 400Y/D	3 x 400V~	6,9	6,0	8,2	11,7	43,5	88,0%	2900	Y/Δ	10mt 7G2.5+3x1
FKV 80 75.2 T5 400Y/D	3 x 400V~	8,3	7,5	10,2	13,7	41,2	90,7%	2900	Y/Δ	10mt 7G2.5+3x1
FKV 80 92.2 T5 400Y/D	3 x 400V~	10,2	9,2	12,5	18,0	119,0	90,8%	2900	Y/Δ	10mt 7G2.5+3x1
FKV 80 110.2 T5 400Y/D	3 x 400V~	12,1	11,0	15,0	21,0	121,0	91,2%	2900	Y/Δ	10mt 7G2.5+3x1

MODEL	SOLIDS HANDLING	A	B	C	D	S1	S3	DN2	FLANGE DIMENSION EN 1092-1 PN16				PACKAGING DIMENSION			WEIGHT Kg
									DN1	M	H	N° HOLES	L/A	L/B	H	
FKV 80 40.2 T5 400D	80	747	456	360	104	575	235	80	80	200	160	8	1030	530	668	148
FKV 80 60.2 T5 400Y/D	80	747	456	360	104	575	235	80	80	200	160	8	1030	530	668	152
FKV 80 75.2 T5 400Y/D	80	747	456	360	104	575	235	80	80	200	160	8	1030	530	668	152
FKV 80 92.2 T5 400Y/D	80	863	488	390	123	650	240	80	80	200	160	8	1030	530	668	202
FKV 80 110.2 T5 400Y/D	80	863	488	390	123	650	240	80	80	200	160	8	1030	530	668	202

FKV 100 - 4 POLES - SUBMERSIBLE PUMPS FOR SEWAGE

Fluid temperature range: from 0° to +40°C. For higher temperature please contact our sale offices.




The performance curves are based on kinematic viscosity values = 1 mm²/s and density equal to 1000 kg/m³. Curve tolerance according to ISO 9906.

MODEL	ELECTRICAL DATA									
	RATED VOLTAGE 50 Hz	P1 kW	P2 NOMINAL		In	Is	η% MOTOR	RATED SPEED rpm/min	STARTING	CABLE
			kW	HP	A	A				
FKV 100 30.4 T5 400D	3 x 400 V~	3,5	3,0	4,0	8,0	24,7	87,8%	1450	DOL	10mt 4G1.5+3x1
FKV 100 40.4 T5 400D	3 x 400 V~	4,5	4,0	5,5	8,9	20,0	88,8%	1450	DOL	10mt 4G1.5+3x1
FKV 100 55.4 T5 400Y/D	3 x 400 V~	6,2	5,5	7,5	11,3	50,3	90,8%	1450	Y/Δ	10mt 7G2.5+3x1
FKV 100 75.4 T5 400Y/D	3 x 400 V~	8,3	7,5	10,0	14,3	44,5	90,6%	1450	Y/Δ	10mt 7G2.5+3x1

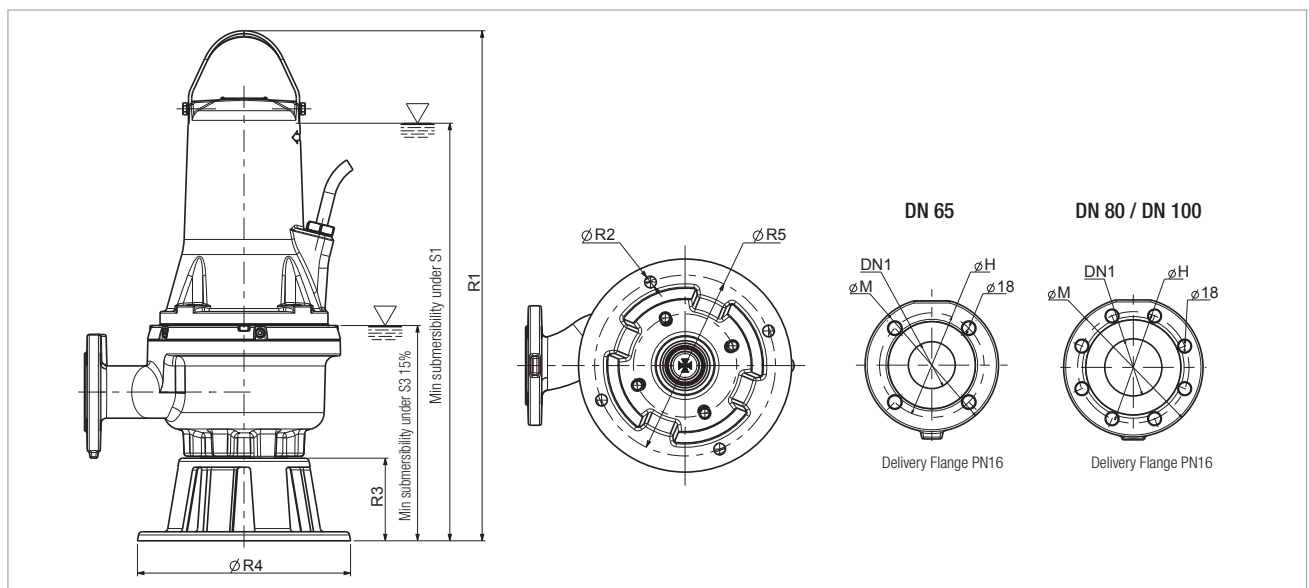
MODEL	SOLIDS HANDLING	A	B	C	D	S1	S3	DN2	FLANGE DIMENSION EN 1092-1 PN16				PACKAGING DIMENSION			WEIGHT Kg
									DN1	M	H	N° HOLES	L/A	L/B	H	
FKV 100 30.4 T5 400D	100	760	457	360	134	585	245	100	100	230	180	8	1030	530	668	166
FKV 100 40.4 T5 400D	100	760	457	360	134	585	245	100	100	230	180	8	1030	530	668	166
FKV 100 55.4 T5 400Y/D	100	883	490	390	123	670	230	100	100	230	180	8	1030	530	668	220
FKV 100 75.4 T5 400Y/D	100	883	490	390	123	670	230	100	100	230	180	8	1030	530	668	220

FKV - RINGSTAND

The Ringstand is useful for portable installation when a rapid pump positioning in the tank is needed, ensuring high stability thanks to a large contact surface.


DESCRIPTION	GENERAL FEATURES	FKV 65	FKV 80	FKV 100	PACKAGING DIMENSION			WEIGHT Kg
					L/A	L/B	H	
 RINGSTAND Ø330 FK RINGSTAND Ø355 FK	- EN G.JL200 - Screws Stainless Steel A2 - Two Component Coating	x	x		360	360	160	10,5
				x				11,4

MODEL	R1	R2	R3	R4	R5	S1	S3	FLANGE DIMENSION EN 1092-1 PN16			
								DN1	M	H	N° HOLES
FKV 65 11.4 T5 400D	790	18	128	330	280	643	334	65	185	145	4
FKV 65 22.2 T5 400D	790	18	128	330	280	643	334	65	185	145	4
FKV 65 30.2 T5 400D	790	18	128	330	280	643	334	65	185	145	4
FKV 65 40.2 T5 400D	848	18	128	330	280	713	373	65	185	145	4
FKV 80 11.4 T5 400D	814	18	128	330	280	668	358	80	200	160	8
FKV 80 15.4 T5 400D	814	18	128	330	280	668	358	80	200	160	8
FKV 80 22.4 T5 400D	814	18	128	330	280	668	358	80	200	160	8
FKV 80 40.4 T5 400D	877	18	128	330	280	703	363	80	200	160	8
FKV 80 40.2 T5 400D	875	18	128	330	280	703	363	80	200	160	8
FKV 80 60.2 T5 400Y/D	875	18	128	330	280	703	363	80	200	160	8
FKV 80 75.2 T5 400Y/D	875	18	128	330	280	703	363	80	200	160	8
FKV 80 92.2 T5 400Y/D	991	18	128	330	280	778	368	80	200	160	8
FKV 80 110.2 T5 400Y/D	991	18	128	330	280	778	368	80	200	160	8
FKV 100 30.4 T5 400D	890	19	130	355	300	715	375	100	230	180	8
FKV 100 40.4 T5 400D	890	19	130	355	300	715	375	100	230	180	8
FKV 100 55.4 T5 400Y/D	1013	19	130	355	300	800	390	100	230	180	8
FKV 100 75.4 T5 400Y/D	1013	19	130	355	300	800	390	100	230	180	8

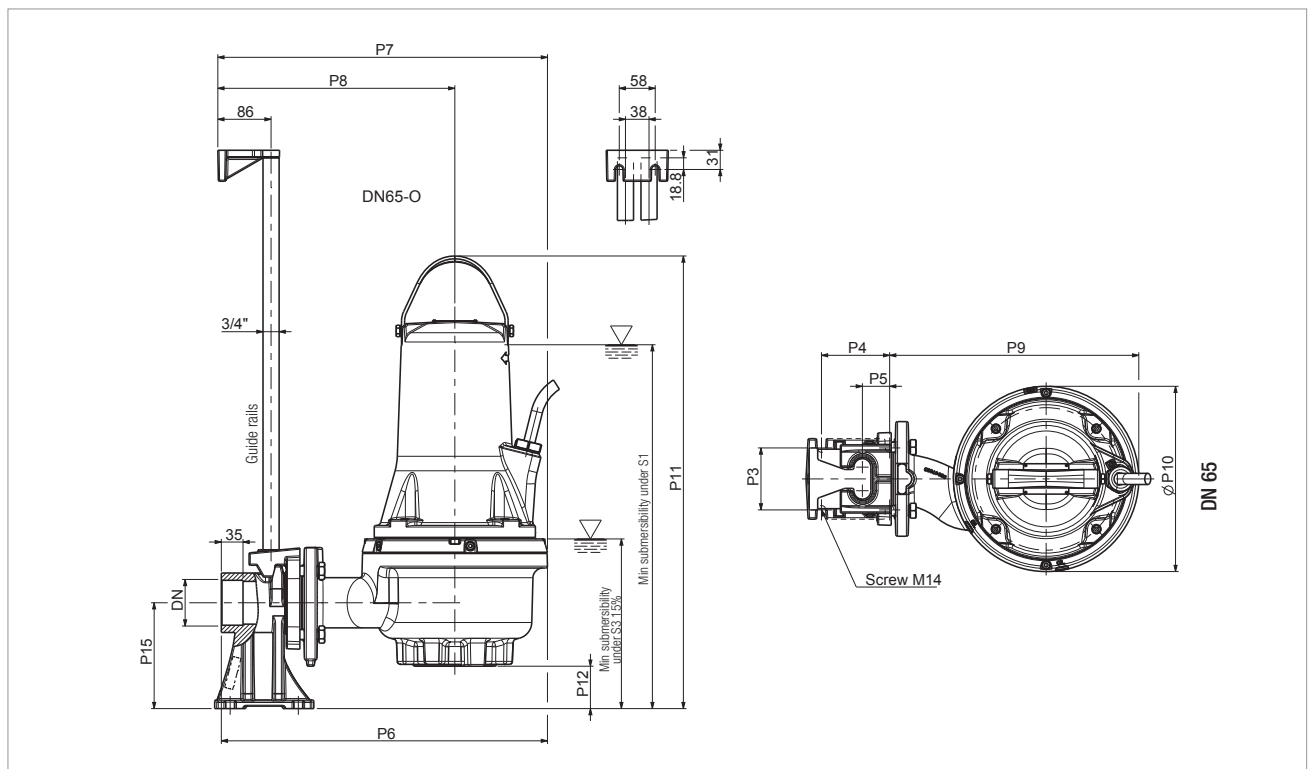


FKV - COUPLING UNIT WITH HORIZONTAL OUTLET DA-0 (DN65)

The coupling unit devices for fixed installation facilitate the ascent and descent of the pump in the tank. They come complete with all necessary components for installation with the exception of guide rails.


DESCRIPTION	GENERAL FEATURES	FKV 65	FKV 80	FKV 100	PACKAGING DIMENSION			WEIGHT Kg
					L/A	L/B	H	
 <p>DA-065 COUPLING UNIT DN65</p>	<ul style="list-style-type: none"> - EN GJL200 - Screws Stainless Steel A2 - Two Component Coating 	x			160	180	240	12.5

MODEL	DN	P3	P4	P5	P6	P7	P8	P9	P10	P11	P12	P15	S1	S3
FKV 65 11.4 T5 400D	Rp 2" 1/2	100	110	44	526	532	382	402	300	730	68	171	583	274
FKV 65 22.2 T5 400D	Rp 2" 1/2	100	110	44	526	532	382	402	300	730	68	171	583	274
FKV 65 30.2 T5 400D	Rp 2" 1/2	100	110	44	526	532	382	402	300	730	68	171	583	274
FKV 65 40.2 T5 400D	Rp 2" 1/2	100	110	44	526	532	382	402	300	730	68	171	650	310

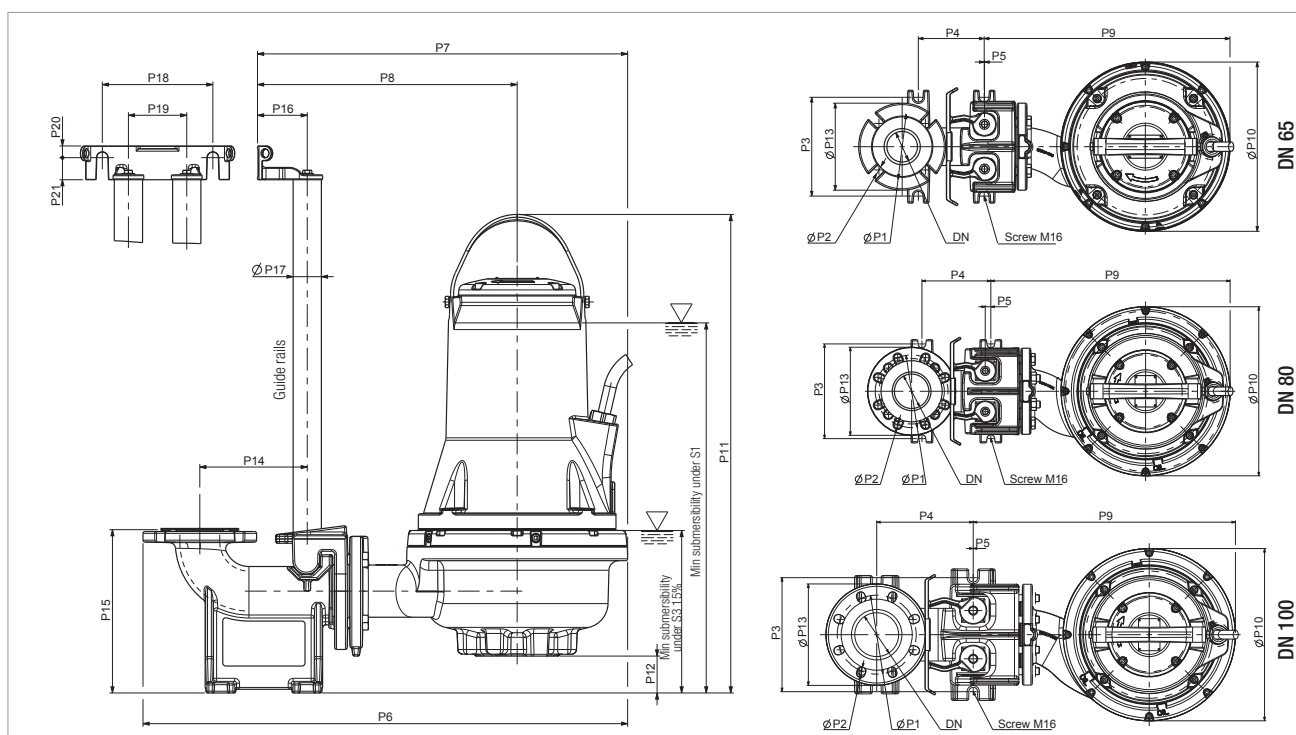


FKV - COUPLING UNIT WITH VERTICAL OUTLET DA-V (DN65 ÷ DN100)

The coupling unit devices for fixed installation facilitate the ascent and descent of the pump in the tank. They come complete with all necessary components for installation with the exception of guide rails.

DESCRIPTION	GENERAL FEATURES	FKV 65	FKV 80	FKV 100	PACKAGING DIMENSION			WEIGHT Kg
					L/A	L/B	H	
 DA-V65 COUPLING UNIT DN65 DA-V80 COUPLING UNIT DN80 DA-V100 COUPLING UNIT DN100	- EN G.JL200	x			599	399	557	25
	- Screws Stainless Steel A2		x					31.5
	- Two Component Coating			x				60
	- NBR Rubber Seal							

MODEL	DN	P1	P2	P3	P4	P5	P6	P7	P8	P9	P10	P11	P12	P13	P14	P15	P16	P17	P18	P19	P20	P21	S1	S3
FKV 65 11.4 T5 400D	65	145	4xø18	210	140	1	730	543	394	463	300	725	63	185	175	266	81	1" 1/2	180	95	19	36	578	269
FKV 65 22.2 T5 400D	65	145	4xø18	210	140	1	730	543	394	463	300	725	63	185	175	266	81	1" 1/2	180	95	19	36	578	269
FKV 65 30.2 T5 400D	65	145	4xø18	210	140	1	730	543	394	463	300	725	63	185	175	266	81	1" 1/2	180	95	19	36	578	269
FKV 65 40.2 T5 400D	65	145	4xø18	210	140	1	790	603	423	523	360	780	60	185	175	266	81	1" 1/2	180	95	19	36	645	305
FKV 80 11.4 T5 400D	80	150+160	4xø19+8xø18	220	160	13	762	570	402	489	336	777	91	205	171	345	81	1" 1/2	180	95	19	36	631	321
FKV 80 15.4 T5 400D	80	150+160	4xø19+8xø18	220	160	13	762	570	402	489	336	777	91	205	171	345	81	1" 1/2	180	95	19	36	631	321
FKV 80 22.4 T5 400D	80	150+160	4xø19+8xø18	220	160	13	762	570	402	489	336	777	91	205	171	345	81	1" 1/2	180	95	19	36	631	321
FKV 80 40.4 T5 400D	80	150+160	4xø19+8xø18	220	160	13	813	620	427	527	386	842	91	205	209	345	81	1" 1/2	180	95	19	36	666	326
FKV 80 40.2 T5 400D	80	150+160	4xø19+8xø18	220	160	13	809	617	437	523	360	843	96	205	171	345	81	1" 1/2	180	95	19	36	671	331
FKV 80 60.2 T5 400Y/D	80	150+160	4xø19+8xø18	220	160	13	809	617	437	523	360	843	96	205	171	345	81	1" 1/2	180	95	19	36	671	331
FKV 80 75.2 T5 400Y/D	80	150+160	4xø19+8xø18	220	160	13	809	617	437	523	360	843	96	205	171	345	81	1" 1/2	180	95	19	36	671	331
FKV 80 92.2 T5 400Y/D	80	150+160	4xø19+8xø18	220	160	13	842	650	454	556	390	940	77	205	171	345	81	1" 1/2	180	95	19	36	727	317
FKV 80 110.2 T5 400Y/D	80	150+160	4xø19+8xø18	220	160	13	842	650	454	556	390	940	77	205	171	345	81	1" 1/2	180	95	19	36	727	317
FKV 100 30.4 T5 400D	100	180	8xø18	260	220	0	900	675	495	565	360	866	106	230	220	413	110	2"	200	110	20	35	691	351
FKV 100 40.4 T5 400D	100	180	8xø18	260	220	0	900	675	495	565	360	866	106	230	220	413	110	2"	200	110	20	35	691	351
FKV 100 55.4 T5 400Y/D	100	180	8xø18	260	220	0	934	708	512	597	390	979	96	230	220	413	110	2"	200	110	20	35	766	356
FKV 100 75.4 T5 400Y/D	100	180	8xø18	260	220	0	934	708	512	597	390	979	96	230	220	413	110	2"	200	110	20	35	766	356



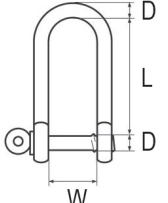
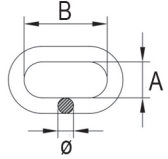
FKV - CONTROL PANEL/PUMP SELECTION MATRIX


PUMP MODEL	CODE	P1 MAX	KW	HP	In A	CONTROL PANEL ED 1 PUMP		CONTROL PANEL ED 2 PUMPS		CONTROL PANEL ED 3 PUMPS		ELECTRONIC	
						CONTROL PANEL CODE	CONTROL PANEL MODEL	CONTROL PANEL CODE	CONTROL PANEL MODEL	CONTROL PANEL CODE	CONTROL PANEL MODEL	CONTROL PANEL 2 PUMPS	
												e.box PLUS	e.box PLUS D
FKV 65 11.4 T5 400D	60172586	1,3	1,1	1,5	3,3	108320340	ED1,5T	108320450	E2D3T	108330450	E3D4,5T	.	.
FKV 65 22.2 T5 400D	60171422	2,5	2,2	3,0	4,8	108320350	ED2,5T	108320460	E2D5T	60115082	E3D7,5T	.	.
FKV 65 30.2 T5 400D	60170389	3,3	3,0	4,0	5,7	108320350	ED2,5T	108320460	E2D5T	60115082	E3D7,5T	.	.
FKV 65 40.2 T5 400D	60171423	4,6	4,0	5,5	7,5	60170054	ED4T	60170062	E2D8T	60170069	E3D12T	.	.
FKV 80 11.4 T5 400D	60171443	1,3	1,1	1,5	3,5	108320340	ED1,5T	108320450	E2D3T	108330450	E3D4,5T	.	.
FKV 80 15.4 T5 400D	60171444	1,8	1,5	2,0	3,8	108320340	ED1,5T	108320450	E2D3T	108330450	E3D4,5T	.	.
FKV 80 22.4 T5 400D	60170418	2,5	2,2	3,0	4,7	108320350	ED2,5T	108320460	E2D5T	60115082	E3D7,5T	.	.
FKV 80 40.4 T5 400D	60171445	4,5	4,0	5,5	8,6	60170054	ED4T	60170062	E2D8T	60170069	E3D12T	.	.
FKV 80 40.2 T5 400D	60171424	4,6	4,0	5,5	7,7	60170054	ED4T	60170062	E2D8T	60170069	E3D12T	.	.
FKV 80 60.2 T5 400Y/D	60171425	6,9	6,0	8,2	11,7	108320840	ED7,5T SD	60170047	E2D15T SD	60170051	E3D22,5T SD		
FKV 80 75.2 T5 400Y/D	60170434	8,3	7,5	10,2	13,7	108320840	ED7,5T SD	60170047	E2D15T SD	60170051	E3D22,5T SD		
FKV 80 92.2 T5 400Y/D	60171426	10,2	9,2	12,5	18,0	60170075	ED15T SD	60170065	E2D30T SD	60170072	E3D45T SD		
FKV 80 110.2 T5 400Y/D	60170429	12,1	11,0	15,0	21,0	60170075	ED15T SD	60170065	E2D30T SD	60170072	E3D45T SD		
FKV 100 30.4 T5 400D	60171446	3,5	3,0	4,0	8,0	60170054	ED4T	60170062	E2D8T	60170069	E3D12T	.	.
FKV 100 40.4 T5 400D	60171447	4,5	4,0	5,5	8,9	60170054	ED4T	60170062	E2D8T	60170069	E3D12T	.	.
FKV 100 55.4 T5 400Y/D	60171448	6,2	5,5	7,5	11,3	108320840	ED7,5T SD	60170047	E2D15T SD	60170051	E3D22,5T SD		
FKV 100 75.4 T5 400Y/D	60170428	8,3	7,5	10,0	14,3	108320840	ED7,5T SD	60170047	E2D15T SD	60170051	E3D22,5T SD		

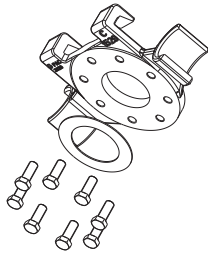
ACCESSORIES


ACCESSORIES

SUBMERSIBLE PUMPS FOR SEWAGE

DESCRIPTION	GENERAL FEATURES	FKV 65	FKV 80	FKV 100	PACKAGING DIMENSION			WEIGHT Kg			
					L/A	L/B	H				
 KIT CHAIN W/SHACKLE 3MT A316 MAX 150KG	- 2 schakles EN 13889:2009 AISI 316 - Chain 3mt: AISI 316 - MAX Load: 150Kg	•			95	145	85	1			
									A	13	
									B	20,5	
									C	8	
									D	6	
									L	25	
 KIT CHAIN W/SHACKLE 3MT A316 MAX 700KG	- 2 schakles EN 13889:2009 AISI 316 - Chain 3mt: AISI 316 - MAX Load: 700Kg			•	•	130	175	90	4		
										A	25
										B	35
										C	14,5
										D	12
										L	47
Ø	8										

	FLYGT COUPLING ADAPTER DN65	- EN GJL250	•			300	220	225	9,25
	FLYGT COUPLING ADAPTER DN80	- Screws M16x70: INOX A2 - Two Component Coating		•		300	220	225	10,2
	FLYGT COUPLING ADAPTER DN100				•	330	240	245	15,6

	COUPLING SYSTEM ADAPTOR FK65 - FEKA2500	- EN GJL200 - Screws M16x40: INOX A2 - Water Painting	•			175	160	145	-	
	COUPLING SYSTEM ADAPTOR FK80 - FEKA 3000			•						
	COUPLING SYSTEM ADAPTOR FK100 - FEKA 4000				•					
	COUPLING SYSTEM ADAPTOR FK 65 - FEKA 3000			•			430	250	310	-
	COUPLING SYSTEM ADAPTOR FK80 - FEKA 4000				•					

	DN	PN	THREADED	FKV 65	FKV 80	FKV 100	L/A	L/B	H	WEIGHT Kg
	KIT FLANGE DN 65 PN16	65	16	2" 1/2	•					
	KIT FLANGE DN 80 PN16	80	16	3"		•		200	200	70
	KIT FLANGE DN100 PN16	100	16	4"			•	310	310	100